

TOW MOUNT MODEL #GOTOW

WARNINGS AND INSTALLATION INSTRUCTIONS

WARNING:

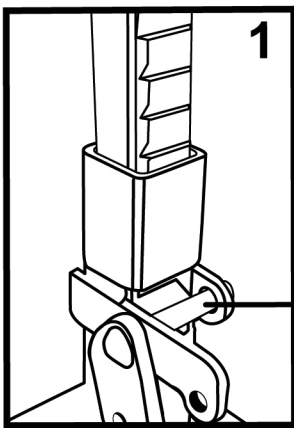
1. DO NOT FLIP UNLOCKING LEVER WITHOUT FULLY REMOVING AND REPLACING GOJAK[®] IN THE TOW MOUNT BRACKET AS THE SELF LOCKING FEATURE WILL NOT RELOCK THE GOJAK[®] IN PLACE. FAILURE TO ADHERE TO THIS WARNING MAY CAUSE THE GOJAK[®] TO BOUNCE OUT, WHICH MAY CAUSE SERIOUS INJURY OR PROPERTY DAMAGE
2. MAKE SURE THE GOJAK[®] IS PUT IN THE TOW MOUNT BRACKET WITH THE TEETH FACING FRONT, (**Illus. 1**). THE TEETH MUST BE VISIBLE THROUGH THE SLOT WHEN INSERTED CORRECTLY. FAILURE TO HEED THIS WARNING WILL NOT ALLOW THE GOJAK[®] TO BE AUTOMATICALLY LOCKED INTO THE TOW MOUNT BRACKET WHICH MAY CAUSE THE GOJAK[®] TO BOUNCE OUT, WHICH MAY CAUSE SERIOUS INJURY OR PROPERTY DAMAGE.

INSTALLATION:

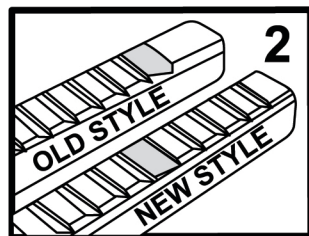
LINE UP THE TOW MOUNT BRACKET WHERE THE GOJAK[®] WILL BE ACCESSIBLE. DRILL AND BOLT SECURELY. MAKE SURE NOT TO HIT ANY WIRES, FUEL LINES ETC. WHEN INSTALLING.

SHOWN BELOW THERE ARE TWO STYLES OF RATCHETS (**Illus. 2**). THE OLDER STYLE WILL REQUIRE A SHIM (**Illus. 3**) (PROVIDED) TO ALIGN RATCHET TEETH CORRECTLY. SIMPLY PLACE THE SHIM IN THE MOUNT AS SHOWN FROM THE TOP. IT IS MUCH EASIER TO ADJUST SHIM FLAT TO BOTTOM OF MOUNT USING FINGERS FROM UNDERSIDE (PRIOR TO BOLTING BRACKET DOWN). LOOK INSIDE TO BE SURE SHIM IS LAYING FLAT IN BOTTOM OF TUBE.

YOU MAY HAVE TO SEND A DRILL THROUGH THE PAD LOCK HOLES TO PERFECTLY ALIGN THEM (**Illus. 4**) OR TO ACCOMMODATE A LARGER DIAMETER LOCK. **DO THIS ONLY AFTER YOUR GOJAK[®] IS MOUNTED IN THE TOW MOUNT BRACKET.**

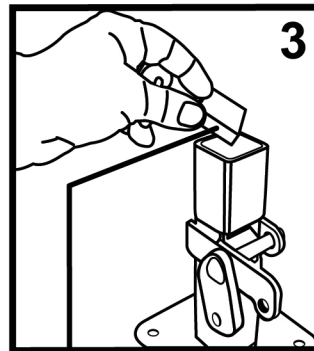


1



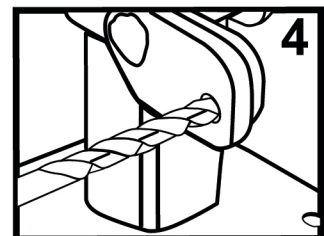
2

**Lubricate Shaft
With Light Machine
Oil at BOTH ENDS
Weekly**

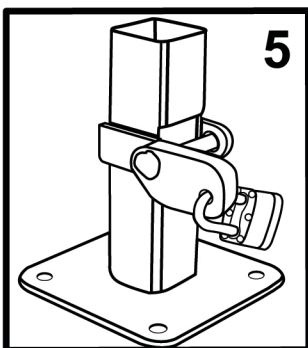


3

**Install Shim PRIOR
to Bolting Bracket
Down to Make Sure
it Lays Flat in bottom
of tube.**



4



5

Manufactured in the USA By
Zendex Tool Corp.
4 Larson Drive
Danbury CT USA 06810
1-800-446-5257
<https://zendextool.com/>



Helpful Links and info

- Contact Us Page - <https://zendextool.com/contact-us>
- US Warranty Registration - <https://zendextool.com/warranty>
- Replacement Parts - <https://zendextool.com/parts/go-jak-parts>
- Frequently Asked Questions - <https://zendextool.com/faq>
- Instagram @ZendexTool Facebook @GoJakZendexTool
- Product Reviews - <http://bit.ly/ZendexToolReview>